

LEGAL NOTICE No. 310

THE BORSTAL INSTITUTIONS ACT, 1963

(No. 23 of 1963)

IN EXERCISE of the powers conferred by section 52 of the Borstal Institutions Act, 1963, the Minister for Home Affairs hereby makes the following Rules:—

THE BORSTAL INSTITUTIONS (AMENDMENT) RULES,
1964

1. These Rules may be cited as the Borstal Institutions (Amendment) Rules, 1964, and shall be deemed to have come into operation on the 12th December 1963.

2. The Borstal Institutions Rules, 1963, are amended by substituting for the expression "Governor" wherever it appears therein, in each case, the expression "Governor-General".

L.N. 596/1963

Made this 24th day of September 1964.

A. OGINGA ODINGA,
Minister for Home Affairs.

LEGAL NOTICE No. 311

THE TRAFFIC ACT

(Cap. 403)

IN EXERCISE of the powers conferred by section 119 of the Traffic Act, the Minister for Works, Communications and Power hereby makes the following Rules:—

THE TRAFFIC (AMENDMENT) RULES, 1964

1. These Rules may be cited as the Traffic (Amendment) Rules, 1964.

2. Rule 9 (I) (c) of the Traffic Rules, hereinafter referred to as the principal Rules, is amended by adding at the end of the proviso thereto the following new paragraph—

Cap. 403
(Sub. Leg.).

(iii) such exemption shall not apply to a public service vehicle or commercial vehicle licensed in Uganda except so as to permit such vehicle to be brought into Kenya and kept there for a period not exceeding seven days on any period of twelve months ending the 31st December for the purpose of being inspected, registered and licensed under the Act;

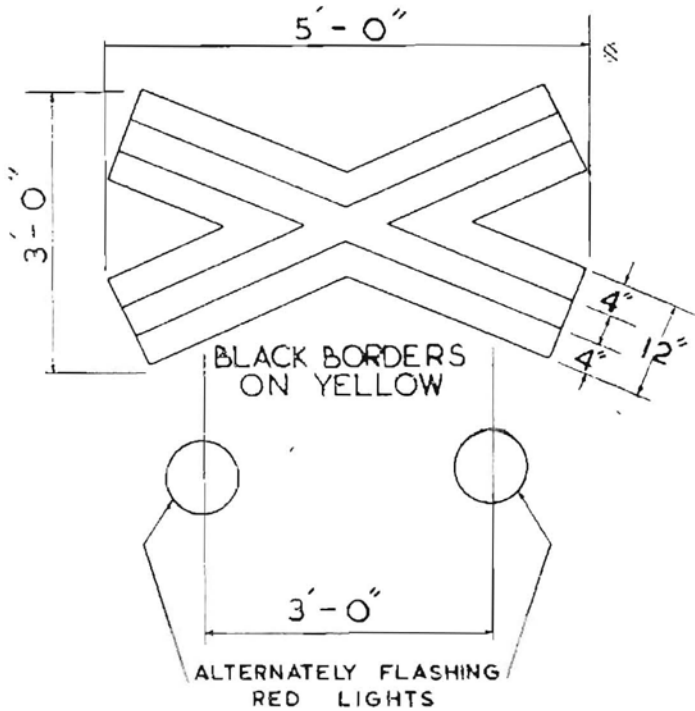
3. The principal Rules are amended by substituting for rule 10 thereof the following new rule—

10. The classes of motor vehicles in respect of which a licensing officer shall require production of an inspection report under section 17 (2) of the Act shall be—

(a) Public Service Vehicles.

- (b) Commercial Vehicles.
- (c) Heavy Commercial Vehicles.
- (d) Trailers and Semi-Trailers.

4. The principal Rules are amended by inserting in the Eighth Schedule thereto immediately after item A.18 thereof, a new item as follows—



A.19

INDICATION

When the red lights are flashing all vehicles must stop before crossing the railway track immediately ahead, and must not cross the track until the red lights cease to flash. Where a barrier is provided all vehicles must stop before reaching the barrier.

Made this 28th day of September 1964.

D. MWANYUMBA,
*Minister for Works, Communications
and Power.*